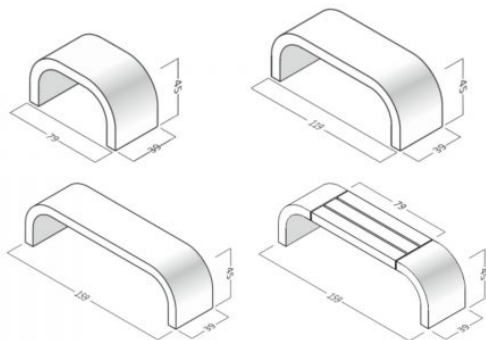


BENCH HARMONY



The **Harmony bench** is a new vision of elegance. Thanks to its **subtle design** it will be an interesting addition to any modern garden or an avant-garde terrace and add some light-hearted chic to any urban space. It is **available in 2 versions**: made solely of architectural concrete and made of concrete and wood.



USAGE

For indoor and outdoor use. Use as a seat

USEFUL RECOMMENDATIONS

Do not overload above the specified maximum load, do not jump on it, do not hit with sharp objects. The product must be secured to the ground with screws driven into the dowels included in the product.

SPECIAL FEATURES

100% manufacture. Satin texture of concrete. The minimum grade of concrete: C 30/37. The products include embedded mounting dowels around the corners of the base.

TECHNICAL INFORMATION

Weight (kg/pc)	79M - 105; 119M - 140 159M - 170; 159M (z drewnem) - 120
Max. load (kg)	79M - 180; 119M - 350; 159M - 550; 159M (z drewnem) - 350
Wall thickness (cm)	8

COLOURS

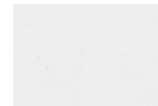
ARCHITECTURAL CONCRETE - NATURAL SURFACE



concrete natural

carbon natural

steel natural



white natural



WOOD - (OTHER TYPES OF WOODS ON REQUEST)



pine wood

See the product online on your smartphone



